

I  
BI  
ZA  
C  
OL  
LEC  
TIO  
N

groël





# The Origin

The birth of the Ibiza lever handle in 2018 happened during the construction of project. This project consists of a complex of luxury villas located on the white island, hence the model's name. We were given the task of creating an original, unique, sensory, and handle full of character in tune with the essence of the island - and so we did. These villas are built with top quality Ibizan materials, bathed by the Mediterranean Sea, surrounded by gardens, swimming pools and nature. They were conceived so that light, calm, and freshness prevail as the main element, and that complements and accessories provided the personal touch.

Zingrinato

*Having a rough, grainy appearance,  
or a series of parallel lines or  
a very dense pattern.*



# All about Ibiza.

The essence of the white island imbues more and more homes and spaces in the Mediterranean every day.

Fresh and clean air that recalls the smell of the sea; luminosity in the surroundings that evokes peace and serenity. Despite the simplicity and sobriety of the Ibizan style, as the essence is found in the details, the Ibiza Collection makes the difference and stands out for its great character in any of its finishes, the most requested being our Powercoat graphite.



For this project, a lever handle was conceived with a special machining technique, a combination of "zingrinato" on the grip with a smooth surface landing on the neck and softened by the round rose.



To complement this lever handle, privacy turn & release and escutcheons were added, where the originality lies within the zingrinato escutcheon button, the characteristic detail of this collection which offers a contrast of textures and modernity to the overall product.



THE MEDITERRANEAN  
JEWEL THAT FIRES THE  
SENSES AND AWAKENS  
THE SOUL WITH ITS  
TIMELESS ENCHANTING  
MELODY

An original lever handle, unique  
and with character, in tune with  
the essence of the white island.





An original lever handle, unique and with character, in tune with the essence of the white island.

Available in the following **powercoat** finishes: satin brass, graphite and inox.



**Close your  
eyes & feel the  
texture**





LEVER HANDLE  
ROSE FORMAT

**REF: 256R8**



LEVER HANDLE  
"T-SHAPED" FORMAT

**REF: 256TR8**



LEVER HANDLE  
BACKPLATE FORMAT

**REF: 256P**



WINDOW LEVER HANDLE

**REF: 256G**



PULL HANDLE

**REF: 256M**



LIFT & SLIDE HANDLE

**REF: 456**



PRIVACY TURN  
& RELEASE

**REF: 100R8CD6**



CABINET KNOB

**REF: 956**



CABINET PULL HANDLE

**REF: 956A**



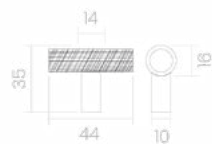
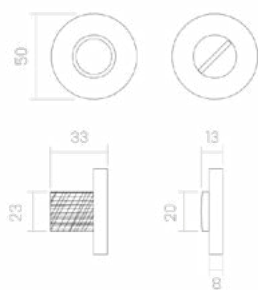
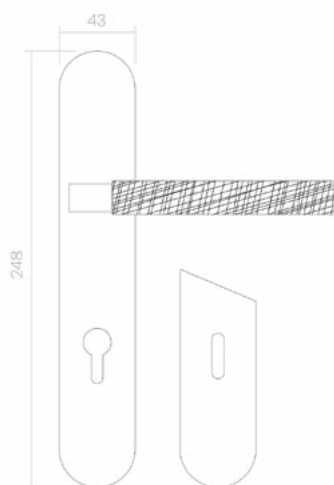
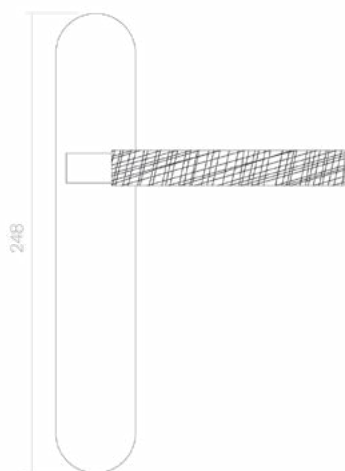
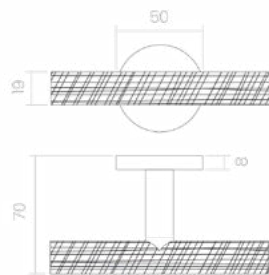
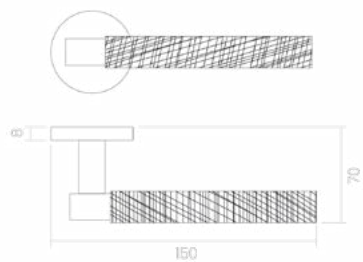
T-BAR CABINET PULL

**REF: 956T**

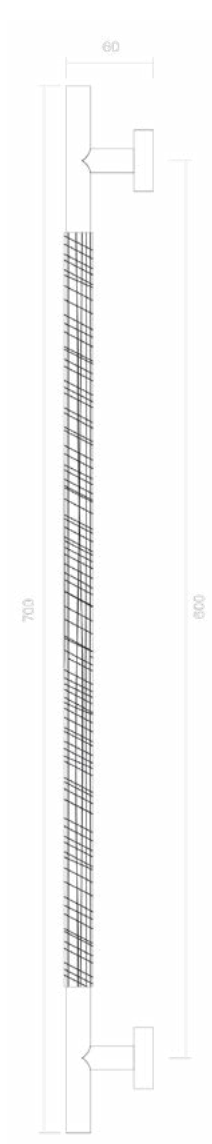
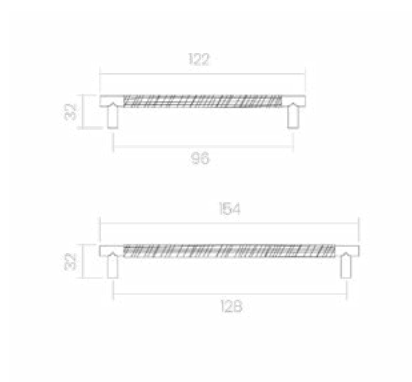
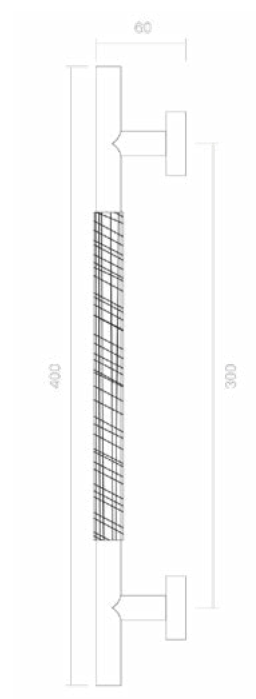
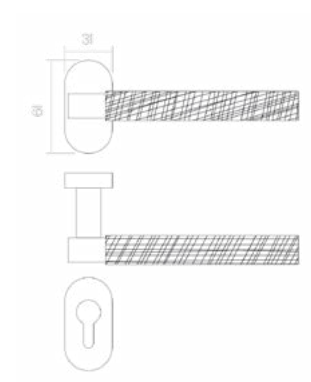
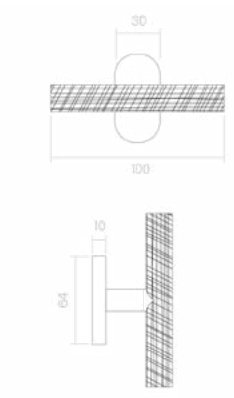
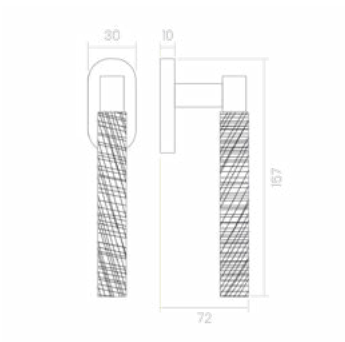
IBIZA CABINET PULL HANDLE  
REF: 956A













**Make your  
projects  
come true**

