

groël

# Round Atelier

Atelier turn and release, with a 50mm round rose. Can be applied on interior doors or bathroom doors, matching with Atelier style items.

*Available in 3 finishes.*



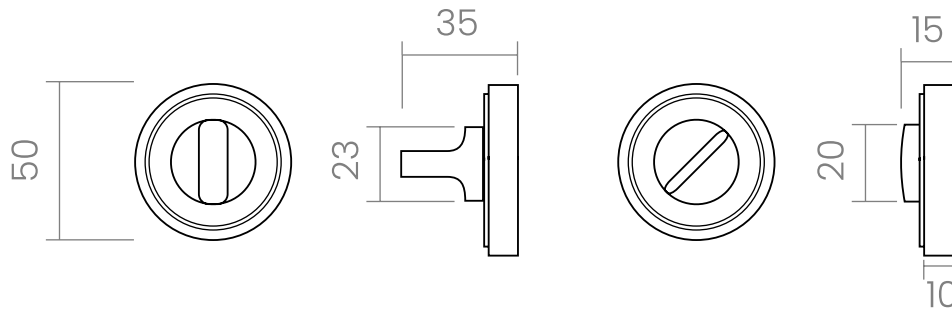
**POWERCOAT POLISHED BRASS**



**BROWN**







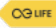
**POWERCOAT POLISHED NICKEL**



### INFO. SPECIFICATIONS

A forged brass turn & release with a 50mm round rose.

### INFO. FINISHES & SKU

	<b>MR</b>	Brown	100-R3-CD-MR	
	<b>PWNB</b>	Powercoat polished nickel	100-R3-CD-PWNB	
	<b>PWLP</b>	Powercoat polished brass	100-R3-CD-PWLP	

### INFO. INCLUDED

- 1x privacy turn & release
- 1x bag of screws

### INFO. CARE INSTRUCTIONS

Clean with a dry cloth. Do not use brass cleaner as it might affect the protective coating.

### INFO. DISCLAIMER

Always seek the advice of professionals when installing these handles. Groël is not responsible for any inadequate installation that may damage the integrity of the product. Finishes other than Groël's Powercoat are not recommended for wet or humid environments.



Production processes follow ecological norms.



Mechanical guarantee for exceed 200.000 operational cycles



Made of solid brass



Powercoat LIFELONG GUARANTEE



Varnish