

# groël

# Chérie

Chérie turn and release, with a 38mm rose. Can be applied on interior doors or bathroom doors, matching with the rest of Chérie items.

*Available in 3 finishes.*



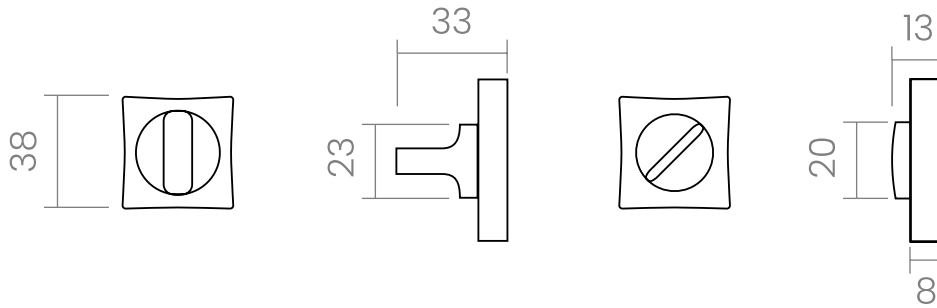
**POLISHED NICKEL**



**SATIN NICKEL**







**UNLACQUERED BRASS**



### INFO. SPECIFICATIONS

A forged brass turn & release with a 38mm special rose.

### INFO. FINISHES & SKU

	<b>LSB</b>	Unlacquered brass	100-R9-CD-LSB	
	<b>NB</b>	Polished nickel	100-R9-CD-NB	
	<b>NS</b>	Satin nickel	100-R9-CD-NS	

### INFO. INCLUDED

- 1x** privacy turn & release
- 1x** bag of screws

### INFO. CARE INSTRUCTIONS

Clean with a dry cloth. Do not use brass cleaner as it might affect the protective coating.

### INFO. DISCLAIMER

Always seek the advice of professionals when installing these handles. Groël is not responsible for any inadequate installation that may damage the integrity of the product. Finishes other than Groël's Powercoat are not recommended for wet or humid environments.



Production processes follow ecological norms.



Mechanical guarantee for exceed 200.000 operational cycles



Made of solid brass



Unlacquered



Varnish