

groël

Bel.la

A true classic is ageless over time

The Bel.la window handle design, with a powerful presence and a traditional design is made in forged brass and a porcelain grip. This handle presents the "craquelé" technique, which consists of imitating the cracks that appear in woGs of aG due to the pass of time, trying to give the same appearance to the handle. It is one of the simplest finishes but with a spectacular result.

Available in 6 finishes.



MATT BRONZE / CRAQUELÉ



MATT BRONZE / WHITE



EFFETTO FERRO / WHITE



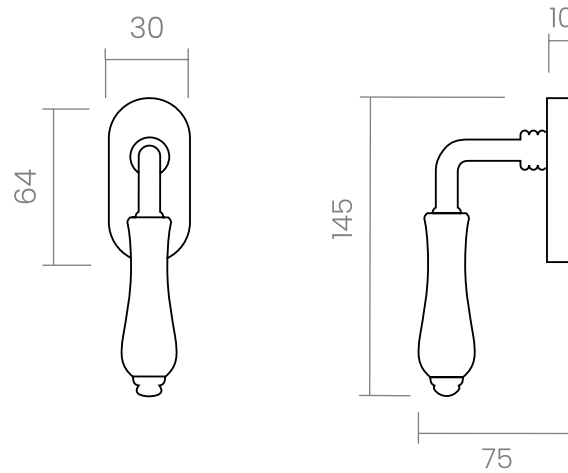
POLISHED BRASS / WHITE



ANTIQUÉ BRASS / IVORY



MATT BRONZE / IVORY



INFO. SPECIFICATIONS

A forged brass window handle with a rectangular rose with a window mechanism.

INFO. FINISHES & SKU

 BOMF	<i>Matt bronze / Ivory</i>	<i>108-G-BOMF</i>
 BOCRAQ	<i>Matt bronze / Craquelé</i>	<i>108-G-BOCRAQ</i>
 BOBL	<i>Matt bronze / White</i>	<i>108-G-BOBL</i>
 HIBL	<i>Effetto ferro / White</i>	<i>108-G-HIBL</i>
 LPBL	<i>Polished brass / White</i>	<i>108-G-LPBL</i>
 AQMF	<i>Antique brass / Ivory</i>	<i>108-G-AQMF</i>

INFO. INCLUDED

- 1x** Window handle with oval rose
- 1x** Bag of screws

INFO. CARE INSTRUCTIONS

Clean with a dry cloth. Do not use brass cleaner as it might affect the protective coating.

INFO. DISCLAIMER

Always seek the advice of professionals when installing these handles. Groël is not responsible for any inadequate installation that may damage the integrity of the product. Finishes other than Groël's Powercoat are not recommended for wet or humid environments.



Production processes follow ecological norms.



Mechanical guarantee far exceed 200.000 operational cycles



Made of solid brass



Varnish