

groël

Bel.la

Quality and attraction, a true classic does not age in front of time.

The beautiful, the classic, rustic, empowered design is presented in two pieces. A magnificent and resistant brass neck and porcelain threaded handle. This combined design makes the handle a unique piece that will melt into a rustic and classic environment. Presented on an exclusive backplate in polished brass finish and white porcelain.

Available in 6 finishes.



MATT BRONZE / CRAQUELÉ



MATT BRONZE / WHITE



EFFETTO FERRO / WHITE



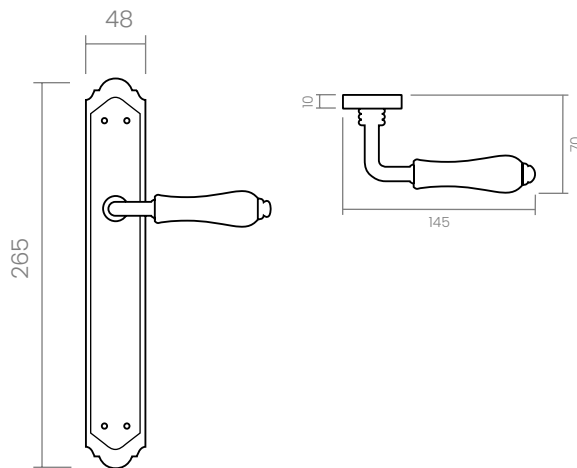
POLISHED BRASS / WHITE



MATT BRONZE / IVORY



ANTIQUÉ BRASS / IVORY



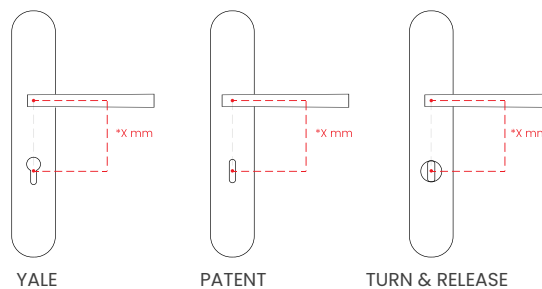
INFO. SPECIFICATIONS

Set of forged brass handles with an 10 mm thick exclusive backplate. Suitable for interior and exterior doors with a thickness between 35-50mm (Groël's standard size)* and with any type of lock.

For wider doors (50mm and above) and/or glass doors, please contact our customer service.

CAN I ADD ESCUTCHEONS OR PRIVACY TURN & RELEASE ON BACKPLATES?

Yes, you only have to tell us the type of escutcheon (yale or patent) or the type of privacy turn & release, and indicate the dimensions between centres*.



*X= Distance between centres

INFO. FINISHES & SKU

| | | | |
|--|---------------|------------------------|---------------|
| | BOMF | Matt bronze / Ivory | 108-PM-BOMF |
| | BOCRAQ | Matt bronze / Craquelé | 108-PM-BOCRAQ |
| | BOBL | Matt bronze / White | 108-PM-BOBL |
| | HIBL | Effetto ferro / White | 108-PM-HIBL |
| | LPBL | Polished brass / White | 108-PM-LPBL |
| | AQMF | Antique brass / Ivory | 108-PM-AQMF |

INFO. INCLUDED

- 2x** Lever handles on an exclusive backplate
- 1x** Square spindle
- 1x** Bag of screws

INFO. CARE INSTRUCTIONS

Clean with a dry cloth. Do not use brass cleaner as it might affect the protective coating.

INFO. DISCLAIMER

Always seek the advice of professionals when installing these handles. Groël is not responsible for any inadequate installation that may damage the integrity of the product. Finishes other than Groël's Powercoat are not recommended for wet or humid environments.