

groël

Log.gic

Gentle, contemporary, nevertheless stylish.

The Log.gic handle design presents an ingenious style. It is a window handle with rounded profiles, assembled with an oval mechanism. This italian handle design and manufacturing, made of forged brass, is conceived for windows in several finishes that will make your home have a minimalist ambiance.

Available in 8 finishes.



POWERCOAT POLISHED BRASS



POWERCOAT INOX



POLISHED CHROME



SATIN CHROME



MATT BLACK



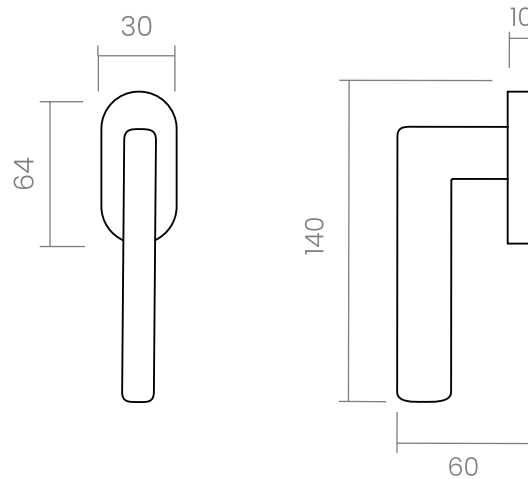
MATT WHITE



POWERCOAT SATIN BRASS







MATT BRONZE



INFO. SPECIFICATIONS

A forged brass window handle with an oval rose with a window mechanism.

INFO. FINISHES & SKU

	PWLP <i>Powercoat polished brass</i>	117-G-PWLP	
	PWLS <i>Powercoat satin brass</i>	117-G-PWLS	
	PWIX <i>Powercoat inox</i>	117-G-PWIX	
	CR <i>Polished chrome</i>	117-G-CR	
	CS <i>Satin chrome</i>	117-G-CS	
	BK <i>Matt black</i>	117-G-BK	
	WTM <i>Matt white</i>	117-G-WTM	
	BO <i>Matt bronze</i>	117-G-BO	

INFO. INCLUDED

- 1x Window handle on an oval rose
- 1x Bag of screws

INFO. CARE INSTRUCTIONS

Clean with a dry cloth. Do not use brass cleaner as it might affect the protective coating.

INFO. DISCLAIMER

Always seek the advice of professionals when installing these handles. Groël is not responsible for any inadequate installation that may damage the integrity of the product. Finishes other than Groël's Powercoat are not recommended for wet or humid environments.



Production processes follow ecological norms.



Mechanical guarantee far exceed 200.000 operational cycles



Made of solid brass



Powercoat LIFELONG GUARANTEE



Chrome III 15 YEARS GUARANTEE



Paint 15 YEARS GUARANTEE



Varnish