

groël

Touch

Straight lines denoting strength and emphasis.

The Touch door handle design presents a robust and solid style assembled with an oval backplate. Enhanced by our chrome finishes, this handle is a perfect model for discrete environments. This Italian handle design and manufacturing made of high quality forged brass, is conceived for interior and exterior doors becoming the protagonist of every space.

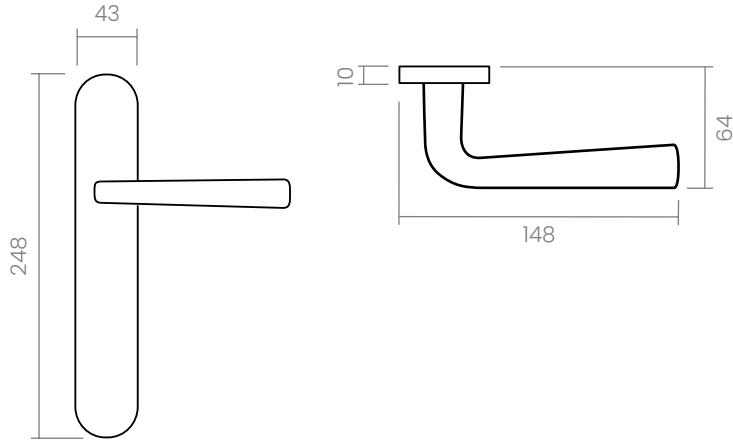
Available in 2 finishes.



SATIN CHROME



POLISHED CHROME



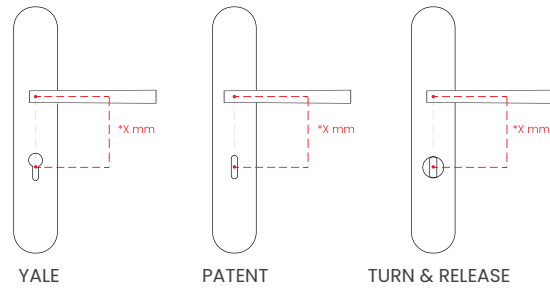
INFO. SPECIFICATIONS

Set of forged brass handles with an 10 mm thick oval backplate. Suitable for interior and exterior doors with a thickness between 35-50mm (Groël's standard size)* and with any type of lock.

For wider doors (50mm and above) and/or glass doors, please contact our customer service.


CAN I ADD ESCUTCHEONS OR PRIVACY TURN & RELEASE ON BACKPLATES?

Yes, you only have to tell us the type of escutcheon (yale or patent) or the type of privacy turn & release, and indicate the dimensions between centres*.



*X= Distance between centres

INFO. FINISHES & SKU

	CR Polished chrome	134-P-CR	
	CS Satin chrome	134-P-CS	

INFO. INCLUDED

- 2x** Lever handles on an oval backplate
- 1x** Square spindle
- 1x** Bag of screws

INFO. CARE INSTRUCTIONS

Clean with a dry cloth. Do not use brass cleaner as it might affect the protective coating.

INFO. DISCLAIMER

Always seek the advice of professionals when installing these handles. Groël is not responsible for any inadequate installation that may damage the integrity of the product. Finishes other than Groël's Powercoat are not recommended for wet or humid environments.