

# groël

## Touch

Straight lines denoting strength and emphasis.

The Touch door handle design presents a robust and solid style assembled with a round rose. Enhanced by our chrome finishes, this handle is a perfect model for discrete environments. This Italian handle design and manufacturing made of high quality forged brass, is conceived for interior and exterior doors becoming the protagonist of every space.

*Available in 2 finishes.*

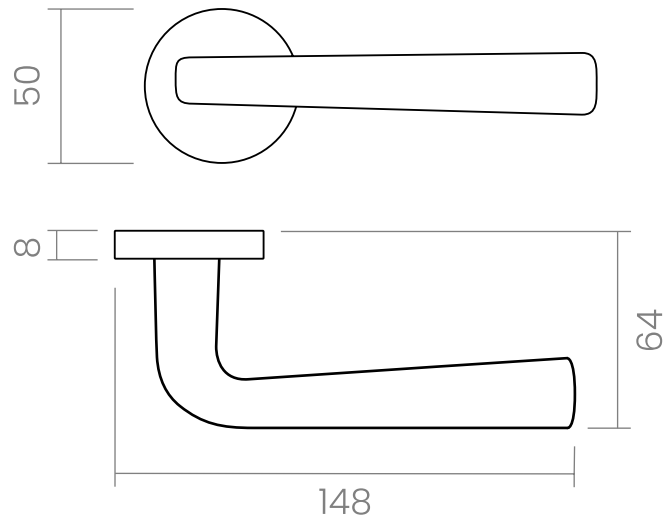


POLISHED CHROME



SATIN CHROME

groël





### INFO. SPECIFICATIONS

Set of forged brass handles with an 8 mm thick round rose. Suitable for interior and exterior doors with a thickness between 35-50mm (Groël's standard size)\* and with any type of lock.

For wider doors (50mm and above) and/or glass doors, please contact our customer service.

### INFO. FINISHES & SKU

 <b>CR</b>	Polished chrome	134-R8-CR	
 <b>CS</b>	Satin chrome	134-R8-CS	

### INFO. INCLUDED

- 2x** Lever handles with round rose
- 1x** Square spindle
- 1x** Bag of screws

### INFO. CARE INSTRUCTIONS

Clean with a dry cloth. Do not use brass cleaner as it might affect the protective coating.

### INFO. DISCLAIMER

Always seek the advice of professionals when installing these handles. Groël is not responsible for any inadequate installation that may damage the integrity of the product. Finishes other than Groël's Powercoat are not recommended for wet or humid environments.



Production processes follow ecological norms.



Mechanical guarantee far exceed 200.000 operational cycles



Made of solid brass



Chrome III  
15 YEARS GUARANTEE