

groël

Fila

Ingeniously culminating.

The Fila door handle design, popular for its originality in design and purity of lines is presented on a rectangular backplate. This Italian handle design is made in high quality forged brass, is conceived for interior and exterior doors in numerous finishes eligible for any type of decoration.

Available in 7 finishes.



POWERCOAT POLISHED BRASS



POWERCOAT INOX



POWERCOAT GRAPHITE



POLISHED CHROME



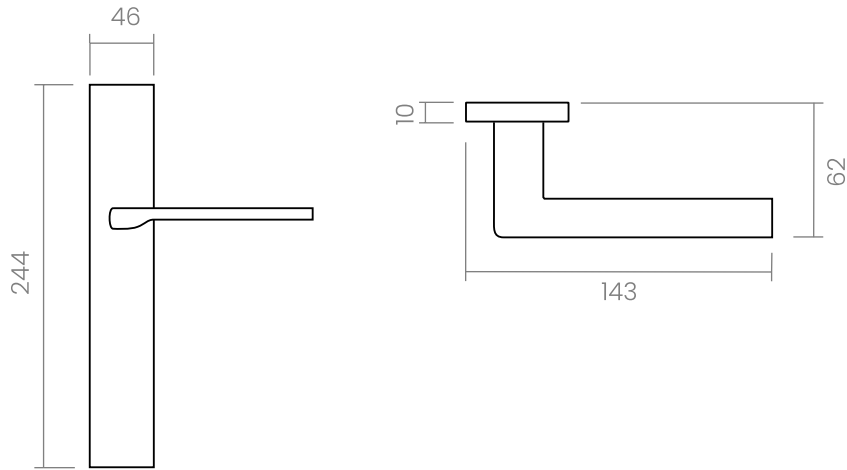
POWERCOAT SATIN BRASS



SATIN CHROME



MATT BLACK



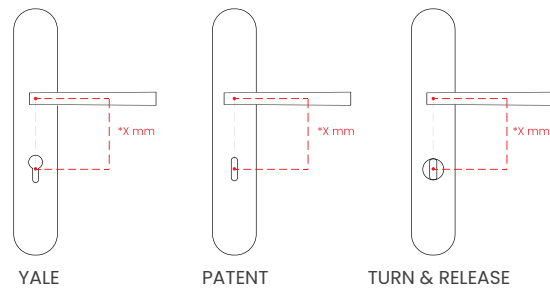
INFO. SPECIFICATIONS

Set of forged brass handles with an 10 mm thick rectangular backplate. Suitable for interior and exterior doors with a thickness between 35-50mm (Groël's standard size)* and with any type of lock.

For wider doors (50mm and above) and/or glass doors, please contact our customer service.

CAN I ADD ESCUTCHEONS OR PRIVACY TURN & RELEASE ON BACKPLATES?

Yes, you only have to tell us the type of escutcheon (yale or patent) or the type of privacy turn & release, and indicate the dimensions between centres*.



*X= Distance between centres

INFO. FINISHES & SKU

	PWLP Powercoat polished brass	147-PC-PWLP	
	PWLS Powercoat satin brass	147-PC-PWLS	
	PWIX Powercoat inox	147-PC-PWIX	
	PWGT Powercoat graphite	147-PC-PWGT	
	CR Polished chrome	147-PC-CR	
	CS Satin chrome	147-PC-CS	
	BK Matt black	147-PC-BK	

INFO. INCLUDED

- 2x** Lever handles on a rectangular backplate
- 1x** Square spindle
- 1x** Bag of screws

INFO. CARE INSTRUCTIONS

Clean with a dry cloth. Do not use brass cleaner as it might affect the protective coating.

INFO. DISCLAIMER

Always seek the advice of professionals when installing these handles. Groël is not responsible for any inadequate installation that may damage the integrity of the product. Finishes other than Groël's Powercoat are not recommended for wet or humid environments.

