

# groël

## Swim

The warmth of a charming minimalism.

The Swim door handle design, has a simple and natural style and is presented on an oval backplate rose. This Italian handle design is made in high quality forged brass, is conceived for interior and exterior doors in numerous finishes giving a wink to every lover of delicate curves on planes.

*Available in 3 finishes.*



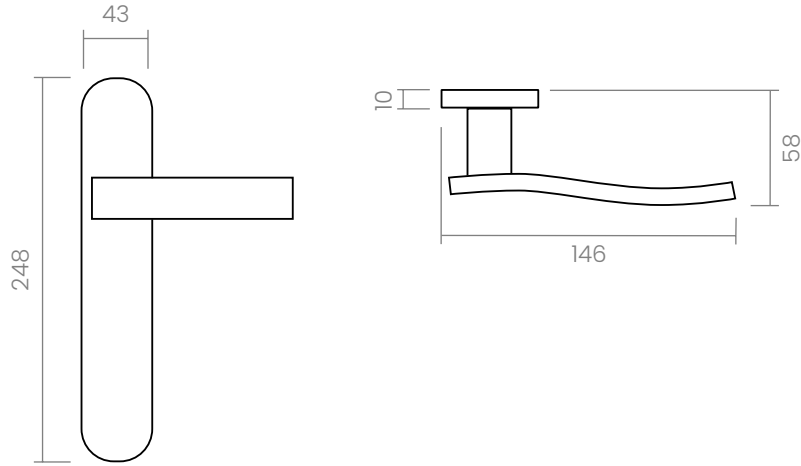
POWERCOAT INOX



SATIN CHROME



POLISHED CHROME



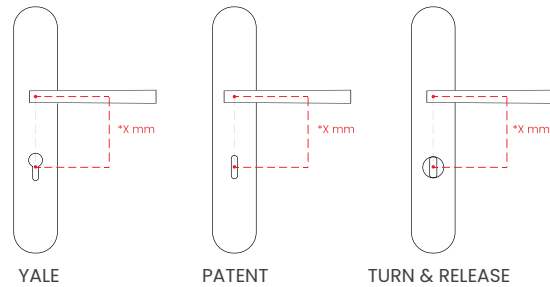
### INFO. SPECIFICATIONS

Set of forged brass handles with an 10 mm thick oval backplate. Suitable for interior and exterior doors with a thickness between 35-50mm (Groël's standard size)\* and with any type of lock.

For wider doors (50mm and above) and/or glass doors, please contact our customer service.

### CAN I ADD ESCUTCHEONS OR PRIVACY TURN & RELEASE ON BACKPLATES?

Yes, you only have to tell us the type of escutcheon (yale or patent) or the type of privacy turn & release, and indicate the dimensions between centres\*.



\*X= Distance between centres

### INFO. FINISHES & SKU

	<b>CR</b>   Polished chrome	157-P-CR	
	<b>CS</b>   Satin chrome	157-P-CS	
	<b>PWIX</b>   Powercoat inox	157-P-PWIX	

### INFO. INCLUDED

- 2x** Lever handles on an oval backplate
- 1x** Square spindle
- 1x** Bag of screws

### INFO. CARE INSTRUCTIONS

Clean with a dry cloth. Do not use brass cleaner as it might affect the protective coating.

### INFO. DISCLAIMER

Always seek the advice of professionals when installing these handles. Groël is not responsible for any inadequate installation that may damage the integrity of the product. Finishes other than Groël's Powercoat are not recommended for wet or humid environments.



Production processes follow ecological norms.



Mechanical guarantee far exceed 200.000 operational cycles



Made of solid brass



Chrome III 15 YEARS GUARANTEE



Powercoat LIFELONG GUARANTEE