

groël

Slim

Stands out for its rounded angles and moderation.

The Slim door handle design, subtle in appearance with perfect proportions, is presented on a round rose. This handle with a balanced design and rounded angles is an Italian design made in high quality forged brass because pleasant to the touch for anyone.

Available in 2 finishes.

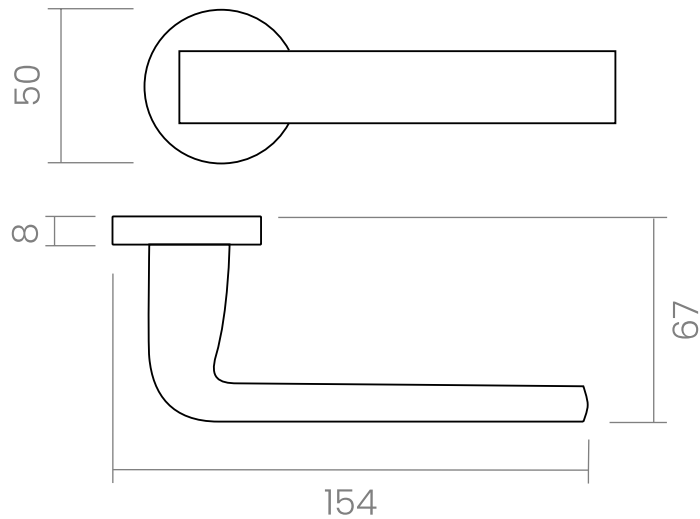


POLISHED CHROME



SATIN CHROME

groël





INFO. SPECIFICATIONS

Set of forged brass handles with an 8 mm thick round rose. Suitable for interior and exterior doors with a thickness between 35-50mm (Groël's standard size)* and with any type of lock.

For wider doors (50mm and above) and/or glass doors, please contact our customer service.

INFO. FINISHES & SKU

 CR	<i>Polished chrome</i>	204-R8-CR	
 CS	<i>Satin chrome</i>	204-R8-CS	

INFO. INCLUDED

- 2x** Lever handles with round rose
- 1x** Square spindle
- 1x** Bag of screws

INFO. CARE INSTRUCTIONS

Clean with a dry cloth. Do not use brass cleaner as it might affect the protective coating.

INFO. DISCLAIMER

Always seek the advice of professionals when installing these handles. Groël is not responsible for any inadequate installation that may damage the integrity of the product. Finishes other than Groël's Powercoat are not recommended for wet or humid environments.



Production processes follow ecological norms.



Mechanical guarantee far exceed 200.000 operational cycles



Made of solid brass



Chrome III
15 YEARS GUARANTEE