

# groël

## Sokol

A sky reaching handle.

The door handle design Sokol, with a contemporary style and rounded shapes is presented on a round rose. This Italian door handle design is made in high quality forged brass and conceived for interior and exterior doors in several es. This handle will give modern minimalism and firmness to your home.

*Available in 3 finishes.*



**POLISHED CHROME**

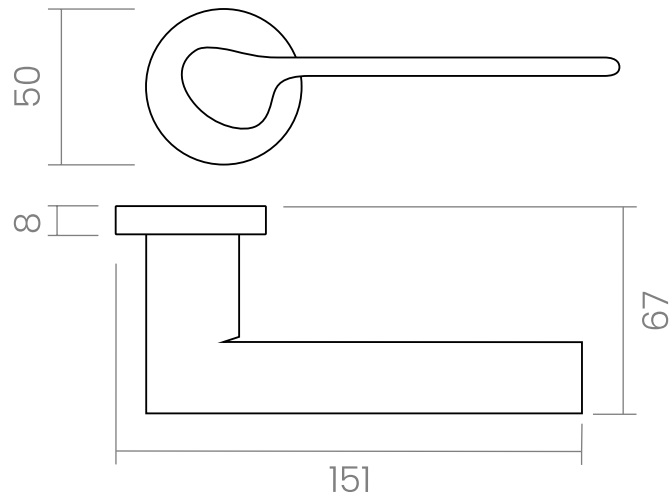


**SATIN CHROME**



**MATT BRONZE**

groël








### INFO. SPECIFICATIONS

Set of forged brass handles with an 8 mm thick round rose. Suitable for interior and exterior doors with a thickness between 35-50mm (Groël's standard size)\* and with any type of lock.

For wider doors (50mm and above) and/or glass doors, please contact our customer service.

### INFO. FINISHES & SKU

	<b>BO</b>   <i>Matt bronze</i>	218-R8-OB	
	<b>CR</b>   <i>Polished chrome</i>	218-R8-CR	
	<b>CS</b>   <i>Satin chrome</i>	218-R8-CS	

### INFO. INCLUDED

- 2x** Lever handles with round rose
- 1x** Square spindle
- 1x** Bag of screws

### INFO. CARE INSTRUCTIONS

Clean with a dry cloth. Do not use brass cleaner as it might affect the protective coating.

### INFO. DISCLAIMER

Always seek the advice of professionals when installing these handles. Groël is not responsible for any inadequate installation that may damage the integrity of the product. Finishes other than Groël's Powercoat are not recommended for wet or humid environments.



Production processes follow ecological norms.



Mechanical guarantee for exceed 200.000 operational cycles



Made of solid brass



Chrome III  
15 YEARS GUARANTEE



Varnish