

groël

Quadra

Geometric and sophisticated.

The Quadra door handle denoting a minimalist style is presented on a rectangular backplate. This Italian door handle design made in forged brass is conceived for interior and exterior doors in several finishes. An authentic challenge to geometry in view of the perfect fit of two emblematic pieces that are correspondent with each other.

Available in 3 finishes.



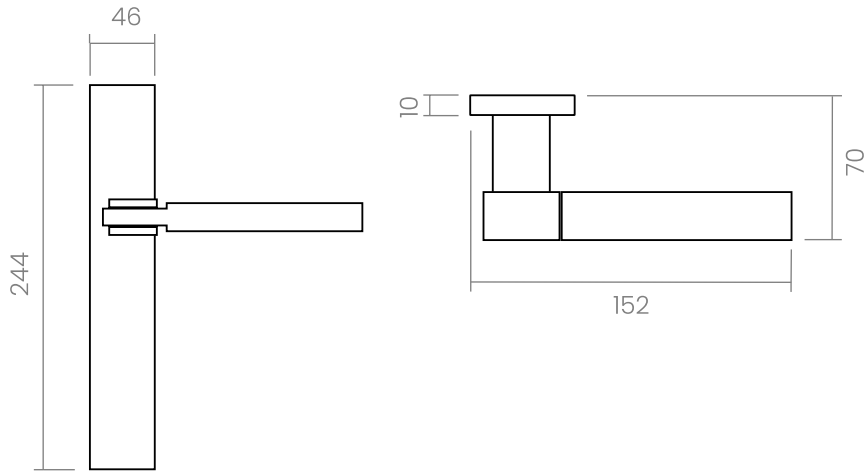
POLISHED CHROME



SATIN CHROME



POLISHED CHROME / SATIN CHROME



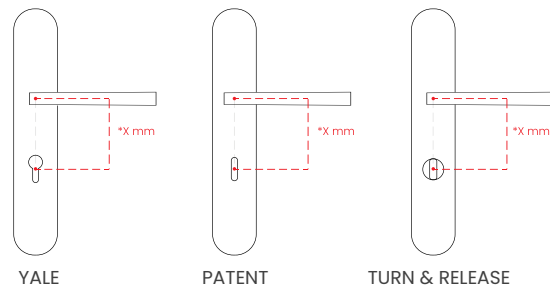
INFO. SPECIFICATIONS

Set of forged brass handles with an 10 mm thick rectangular backplate. Suitable for interior and exterior doors with a thickness between 35-50mm (Groël's standard size)* and with any type of lock.

For wider doors (50mm and above) and/or glass doors, please contact our customer service.

CAN I ADD ESCUTCHEONS OR PRIVACY TURN & RELEASE ON BACKPLATES?

Yes, you only have to tell us the type of escutcheon (yale or patent) or the type of privacy turn & release, and indicate the dimensions between centres*.



*X= Distance between centres

INFO. FINISHES & SKU

	CR Polished chrome	227-PC-CR	
	CS Satin chrome	227-PC-CS	
	CRCS Polished chrome / Satin chrome	227-PC-CRCS	

INFO. INCLUDED

- 2x** Lever handles on a rectangular backplate
- 1x** Square spindle
- 1x** Bag of screws

INFO. CARE INSTRUCTIONS

Clean with a dry cloth. Do not use brass cleaner as it might affect the protective coating.

INFO. DISCLAIMER

Always seek the advice of professionals when installing these handles. Groël is not responsible for any inadequate installation that may damage the integrity of the product. Finishes other than Groël's Powercoat are not recommended for wet or humid environments.