

# groël

## Pin

An inspiring flowing motion.

The Pin door handle design, with a 90° twisted grip, is presented on a rectangular backplate. This Italian door handle design made in forged brass is conceived for interior and exterior doors in several finishes. The perfect fit if what you are looking for is an audacious interior design.

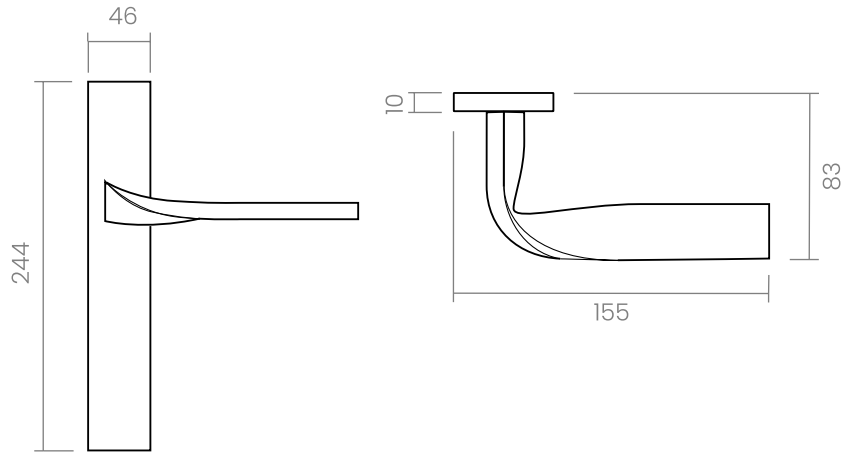
*Available in 2 finishes.*



**POLISHED CHROME**



**SATIN CHROME**



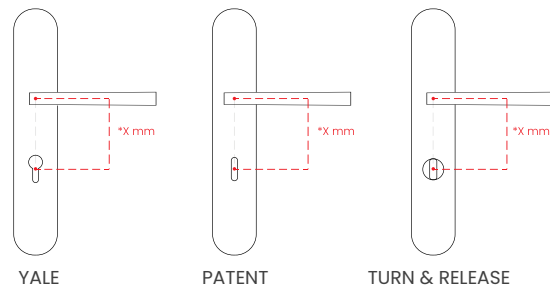
**INFO. SPECIFICATIONS**

Set of forged brass handles with an 10 mm thick rectangular backplate. Suitable for interior and exterior doors with a thickness between 35-50mm (Groël's standard size)\* and with any type of lock.

For wider doors (50mm and above) and/or glass doors, please contact our customer service.





**CAN I ADD ESCUTCHEONS OR PRIVACY TURN & RELEASE ON BACKPLATES?**

Yes, you only have to tell us the type of escutcheon (yale or patent) or the type of privacy turn & release, and indicate the dimensions between centres\*.



\*X= Distance between centres

**INFO. FINISHES & SKU**

	<b>CR</b>   Polished chrome	232-PC-CR	
	<b>CS</b>   Satin chrome	232-PC-CS	

**INFO. INCLUDED**

- 2x** Lever handles on a rectangular backplate
- 1x** Square spindle
- 1x** Bag of screws

**INFO. CARE INSTRUCTIONS**

Clean with a dry cloth. Do not use brass cleaner as it might affect the protective coating.

**INFO. DISCLAIMER**

Always seek the advice of professionals when installing these handles. Groël is not responsible for any inadequate installation that may damage the integrity of the product. Finishes other than Groël's Powercoat are not recommended for wet or humid environments.



Production processes follow ecological norms.



Mechanical guarantee far exceed 200.000 operational cycles



Made of solid brass



Chrome III 15 YEARS GUARANTEE