

groël

Flow

A robust and noble neck.

The Flow door handle design is expressive, evolved and presented on a rectangular backplate. This italian door handle design made in forged brass is conceived in several finishes for interior and exterior doors. Its technicality makes it the protagonist of any space.

Available in 5 finishes.



POWERCOAT SATIN BRASS



POWERCOAT INOX



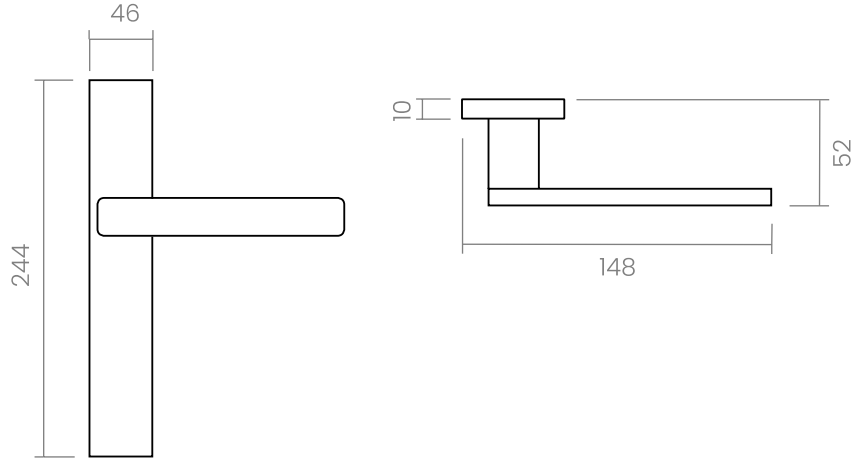
POLISHED CHROME



SATIN CHROME



POWERCOAT GRAPHITE



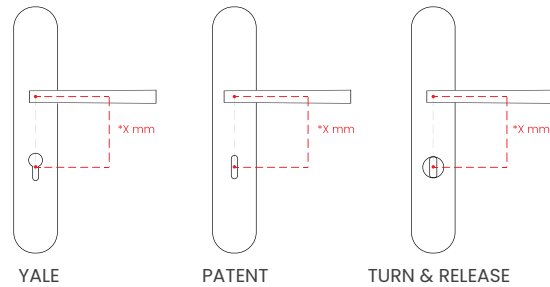
INFO. SPECIFICATIONS

Set of forged brass handles with an 10 mm thick rectangular backplate. Suitable for interior and exterior doors with a thickness between 35-50mm (Groël's standard size)* and with any type of lock.

For wider doors (50mm and above) and/or glass doors, please contact our customer service.

CAN I ADD ESCUTCHEONS OR PRIVACY TURN & RELEASE ON BACKPLATES?

Yes, you only have to tell us the type of escutcheon (yale or patent) or the type of privacy turn & release, and indicate the dimensions between centres*.



*X= Distance between centres

INFO. FINISHES & SKU

	PWLS Powercoat satin brass	237-PC-PWLS	
	PWIX Powercoat inox	237-PC-PWIX	
	PWGT Powercoat graphite	237-PC-PWGT	
	CR Polished chrome	237-PC-CR	
	CS Satin chrome	237-PC-CS	

INFO. INCLUDED

- 2x** Lever handles on a rectangular backplate
- 1x** Square spindle
- 1x** Bag of screws

INFO. CARE INSTRUCTIONS

Clean with a dry cloth. Do not use brass cleaner as it might affect the protective coating.

INFO. DISCLAIMER

Always seek the advice of professionals when installing these handles. Groël is not responsible for any inadequate installation that may damage the integrity of the product. Finishes other than Groël's Powercoat are not recommended for wet or humid environments.



Production processes follow ecological norms.



Mechanical guarantee far exceed 200.000 operational cycles



Made of solid brass



Powercoat LIFELONG GUARANTEE



Chrome III 15 YEARS GUARANTEE