

groël

Bimba

A very delicate piece, a jewel.

The new model launched in collaboration with Lagranja Design. A lever handle combining a modern and a classic style. From the front, a flat surface with a more classic appearance but from the back side it is fully ergonomic, giving a modern touch to this model. Bimba merges in every type of project and style: from modern private housing, to classic hotels, or even nightclubs. The designer Gerard Sanmartí prefers matt over shiny es, such as satin brass or matt black, but claims "it would only depend on the type of environment you're trying to create".

Available in 3 finishes.



SATIN CHROME

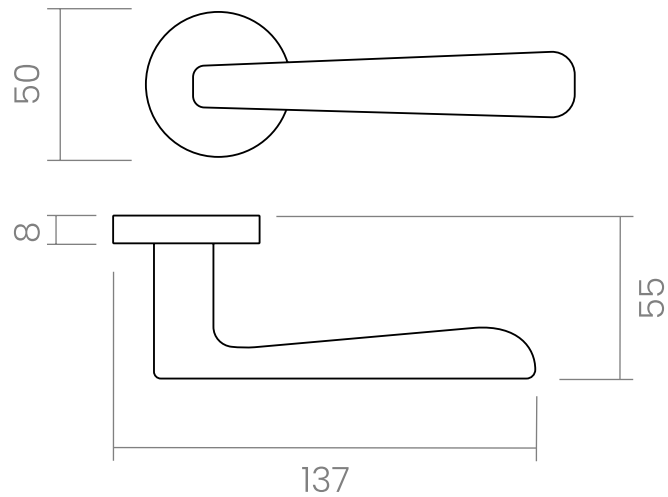


MATT WHITE



MATT BLACK

groël







INFO. SPECIFICATIONS

Set of forged brass handles with an 8 mm thick round rose. Suitable for interior and exterior doors with a thickness between 35-50mm (Groël's standard size)* and with any type of lock.

For wider doors (50mm and above) and/or glass doors, please contact our customer service.

INFO. FINISHES & SKU

	BK <i>Matt black</i>	246-R8-BK	
	CS <i>Satin chrome</i>	246-R8-CS	
	WTM <i>Matt white</i>	246-R8-WTM	

INFO. INCLUDED

- 2x** Lever handles with round rose
- 1x** Square spindle
- 1x** Bag of screws

INFO. CARE INSTRUCTIONS

Clean with a dry cloth. Do not use brass cleaner as it might affect the protective coating.

INFO. DISCLAIMER

Always seek the advice of professionals when installing these handles. Groël is not responsible for any inadequate installation that may damage the integrity of the product. Finishes other than Groël's Powercoat are not recommended for wet or humid environments.



Production processes follow ecological norms.



Mechanical guarantee far exceed 200.000 operational cycles



Made of solid brass



Chrome III
15 YEARS GUARANTEE



Paint
15 YEARS GUARANTEE