

groël

# Trombetta

The golden XIXth century conoid design.

The Trombetta door handle design, with an avant-garde style, is assembled on an oval backplate. Thanks to its classic presence, this Italian handle made in forged brass modernises the most classic interiors offering a collection of diverse historical periods without losing relevance.

*Available in 2 finishes.*

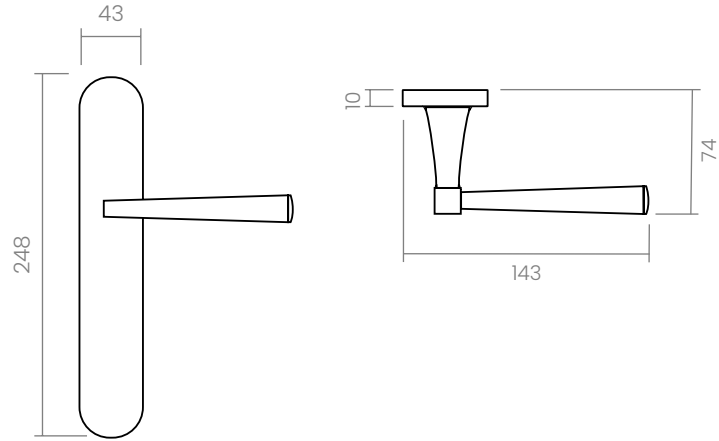


POWERCOAT POLISHED BRASS



POWERCOAT POLISHED NICKEL

groël



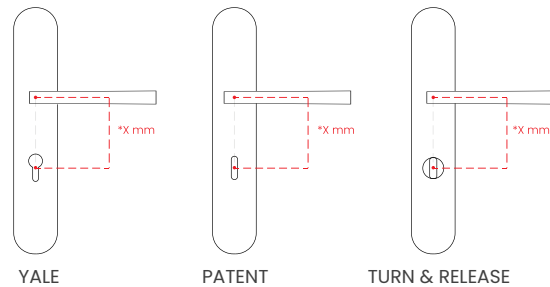
**INFO. SPECIFICATIONS**

Set of forged brass handles with an 10 mm thick oval backplate. Suitable for interior and exterior doors with a thickness between 35-50mm (Groël's standard size)\* and with any type of lock.

For wider doors (50mm and above) and/or glass doors, please contact our customer service.





**CAN I ADD ESCUTCHEONS OR PRIVACY TURN & RELEASE ON BACKPLATES?**

Yes, you only have to tell us the type of escutcheon (yale or patent) or the type of privacy turn & release, and indicate the dimensions between centres\*.



\*X= Distance between centres

**INFO. FINISHES & SKU**

-  **PWLP** | Powercoat polished brass | 510-P-PWLP | 
-  **PWNB** | Powercoat polished nickel | 510-P-PWNB | 

**INFO. INCLUDED**

- 2x** Lever handles on an oval backplate
- 1x** Square spindle
- 1x** Bag of screws

**INFO. CARE INSTRUCTIONS**

Clean with a dry cloth. Do not use brass cleaner as it might affect the protective coating.

**INFO. DISCLAIMER**

Always seek the advice of professionals when installing these handles. Groël is not responsible for any inadequate installation that may damage the integrity of the product. Finishes other than Groël's Powercoat are not recommended for wet or humid environments.