

groël

Trombetta

The golden XIXth century conoid design.

The Trombetta door handle design, with an avant-garde style, is assembled on a round rose. Thanks to its classic presence, this Italian handle made in forged brass modernises the most classic interiors offering a collection of diverse historical periods without losing relevance.

Available in 2 finishes.

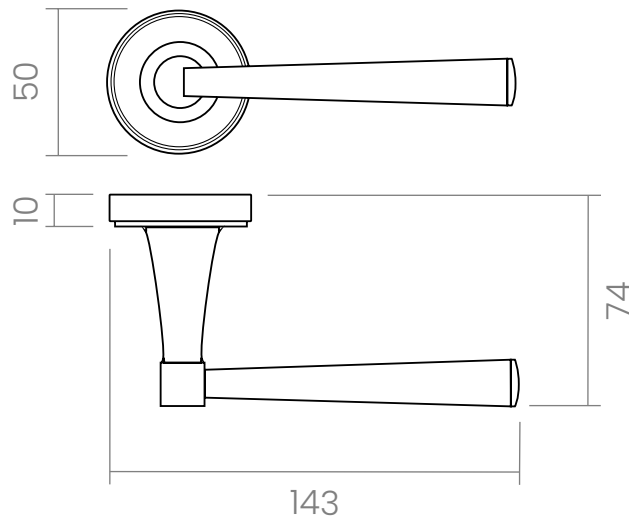


POWERCOAT POLISHED BRASS



POWERCOAT POLISHED NICKEL

groël







INFO. SPECIFICATIONS

Set of forged brass handles with an 8 mm thick round rose. Suitable for interior and exterior doors with a thickness between 35-50mm (Groël's standard size)* and with any type of lock.

For wider doors (50mm and above) and/or glass doors, please contact our customer service.

INFO. FINISHES & SKU

	PWLP Powercoat polished brass	510-R3-PWLP	
	PWNB Powercoat polished nickel	510-R3-PWNB	

INFO. INCLUDED

- 2x** Lever handles with round rose
- 1x** Square spindle
- 1x** Bag of screws

INFO. CARE INSTRUCTIONS

Clean with a dry cloth. Do not use brass cleaner as it might affect the protective coating.

INFO. DISCLAIMER

Always seek the advice of professionals when installing these handles. Groël is not responsible for any inadequate installation that may damage the integrity of the product. Finishes other than Groël's Powercoat are not recommended for wet or humid environments.



Production processes follow ecological norms.



Mechanical guarantee far exceed 200.000 operational cycles



Made of solid brass



Powercoat LIFELONG GUARANTEE