

# groël

## Otto

A laudable reminiscence to the past.

The Otto window handle design, an elegant style and with an angular profile, is presented on an oval mechanism. Owing to its classic tendency, full of beauty and functionality, this Italian handle design made in forged brass, modernises the most classic interiors.

*Available in 3 finishes.*



**POLISHED CHROME**

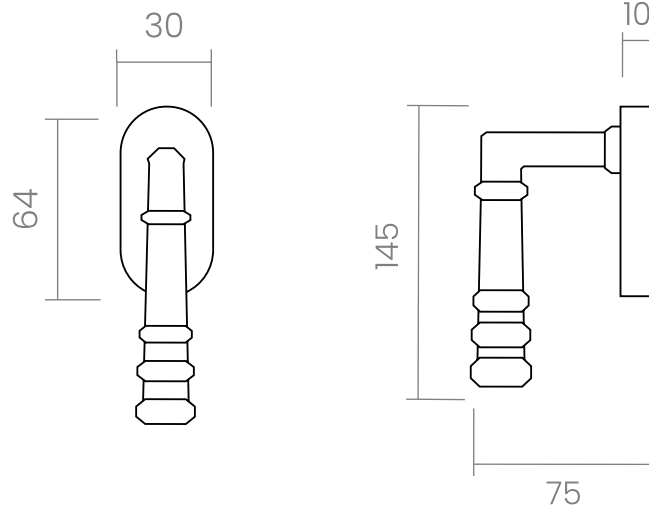


**POLISHED BRASS**



**MATT BRONZE**





groël



### INFO. SPECIFICATIONS

A forged brass window handle with an oval rose with a window mechanism.

### INFO. FINISHES & SKU

 <b>BO</b>	<i>Matt bronze</i>	528-G-BO	
 <b>CR</b>	<i>Polished chrome</i>	528-G-CR	
 <b>LP</b>	<i>Polished brass</i>	528-G-LP	

### INFO. INCLUDED

- 1x** Window handle with oval rose
- 1x** Bag of screws

### INFO. CARE INSTRUCTIONS

Clean with a dry cloth. Do not use brass cleaner as it might affect the protective coating.

### INFO. DISCLAIMER

Always seek the advice of professionals when installing these handles. Groël is not responsible for any inadequate installation that may damage the integrity of the product. Finishes other than Groël's Powercoat are not recommended for wet or humid environments.



Production processes follow ecological norms.



Mechanical guarantee for exceed 200,000 operational cycles



Made of solid brass



Chrome III  
15 YEARS GUARANTEE



Varnish