

groël

Otto

A laudable reminiscence of the past.

The Italian pull handle design Otto, full of beauty and functionality, is made of high quality forged brass. Thanks to its classic trend, this handle modernises even the most antique interiors. It can be used for sliding doors, wardrobes, drawers, etc.

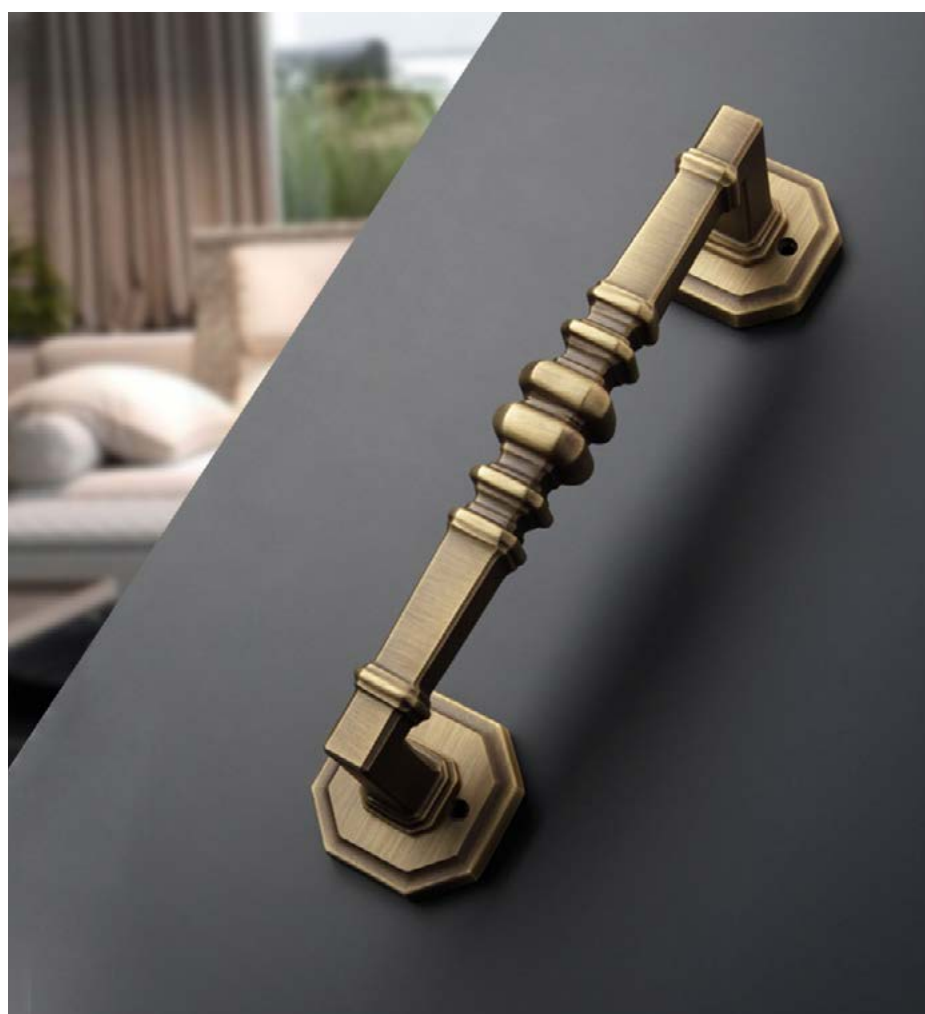
Available in 3 finishes.



POLISHED CHROME

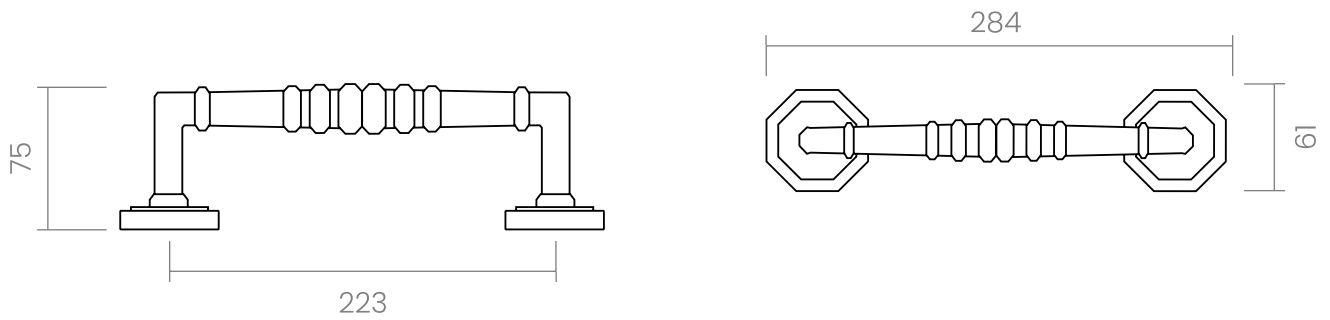


POLISHED BRASS



MATT BRONZE

groël







INFO. SPECIFICATIONS

A forged brass pull handle suitable for doors and sliding doors, wardrobes, cabinets, etc.

Pulls are sold individually but they come prepared with the necessary accessories to install one in front of the other if you purchase 2 units.

INFO. FINISHES & SKU

 BO	<i>Matt bronze</i>	528-M-R18-BO	
 CR	<i>Polished chrome</i>	528-M-R18-CR	
 LP	<i>Polished brass</i>	528-M-R18-LP	

INFO. INCLUDED

- 1x** Pull handle
- 1x** Simple fixing

INFO. CARE INSTRUCTIONS

Clean with a dry cloth. Do not use brass cleaner as it might affect the protective coating.

INFO. DISCLAIMER

Always seek the advice of professionals when installing these handles.
Groël is not responsible for any inadequate installation that may damage the integrity of the product.
Finishes other than Groël's Powercoat are not recommended for wet or humid environments.



Production processes follow ecological norms.



Mechanical guarantee for exceed 200,000 operational cycles



Made of solid brass



Chrome III
15 YEARS GUARANTEE



Varnish