

# groël

## Otto

A laudable reminiscence to the past.

The Otto door handle design, an elegant style and with an angular profile, is presented on an exclusive rose. Owing to its classic tendency, full of beauty and functionality, this Italian handle design made in forged brass, modernises the most classic interiors.

*Available in 3 finishes.*



POLISHED CHROME

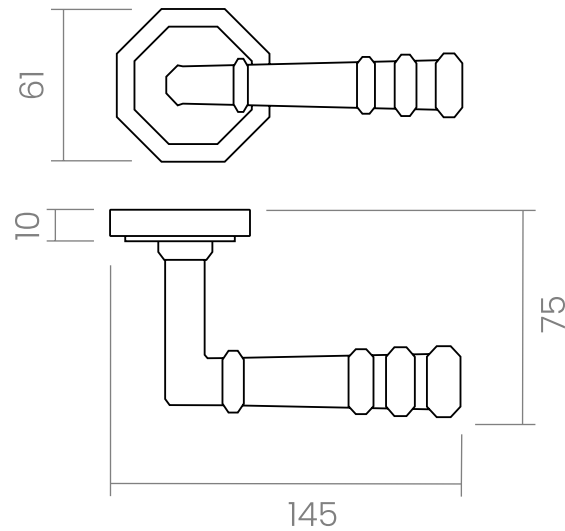


POLISHED BRASS



MATT BRONZE

groël






### INFO. SPECIFICATIONS

Set of forged brass handles with an 8 mm thick round rose. Suitable for interior and exterior doors with a thickness between 35-50mm (Groël's standard size)\* and with any type of lock.

For wider doors (50mm and above) and/or glass doors, please contact our customer service.

### INFO. FINISHES & SKU

	<b>BO</b>   <i>Matt bronze</i>	528-R18-BO
	<b>CR</b>   <i>Polished chrome</i>	528-R18-CR
	<b>LP</b>   <i>Polished brass</i>	528-R18-LP



### INFO. INCLUDED

- 2x** Lever handles with special rose
- 1x** Square spindle
- 1x** Bag of screws

### INFO. CARE INSTRUCTIONS

Clean with a dry cloth. Do not use brass cleaner as it might affect the protective coating.

### INFO. DISCLAIMER

Always seek the advice of professionals when installing these handles. Groël is not responsible for any inadequate installation that may damage the integrity of the product. Finishes other than Groël's Powercoat are not recommended for wet or humid environments.



Production processes follow ecological norms.



Mechanical guarantee for exceed 200.000 operational cycles



Made of solid brass



Chrome III  
15 YEARS GUARANTEE



Varnish