

# groël

# Chérie

The minimum expression of a perfect tandem.

The Chérie window handle design, made with the highest delicacy and precision, comes on an oval mechanism. This Italian window handle design is made in ebony wood contrasted in brass, and is conceived for the most demanding interiors.

*Available in 3 finishes.*



EBONY / UNLACQUERED BRASS

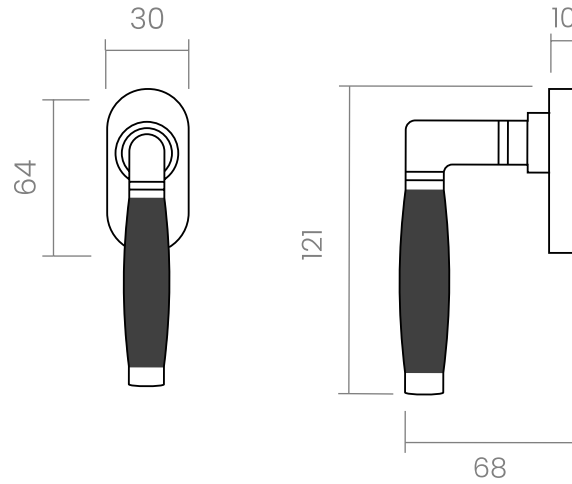


EBONY / SATIN NICKEL



EBONY / POLISHED NICKEL





groël



### INFO. SPECIFICATIONS

A forged brass window handle with an special rose with a window mechanism.

### INFO. FINISHES & SKU

	<b>EBLSB</b>   <i>Ebony / Unlacquered brass</i>	590-G-EBLSB	
	<b>EBNB</b>   <i>Ebony / Polished nickel</i>	590-G-EBNB	
	<b>EBNS</b>   <i>Ebony / Satin nickel</i>	590-G-EBNS	

### INFO. INCLUDED

- 1x** Window handle with oval rose
- 1x** Bag of screws

### INFO. CARE INSTRUCTIONS

Clean with a dry cloth. Do not use brass cleaner as it might affect the protective coating.

### INFO. DISCLAIMER

Always seek the advice of professionals when installing these handles.  
Groël is not responsible for any inadequate installation that may damage the integrity of the product.  
Finishes other than Groël's Powercoat are not recommended for wet or humid environments.



Production processes follow ecological norms.



Mechanical guarantee for exceed 200.000 operational cycles



Made of solid brass



Unlacquered



Varnish