

# groël

## Chérie

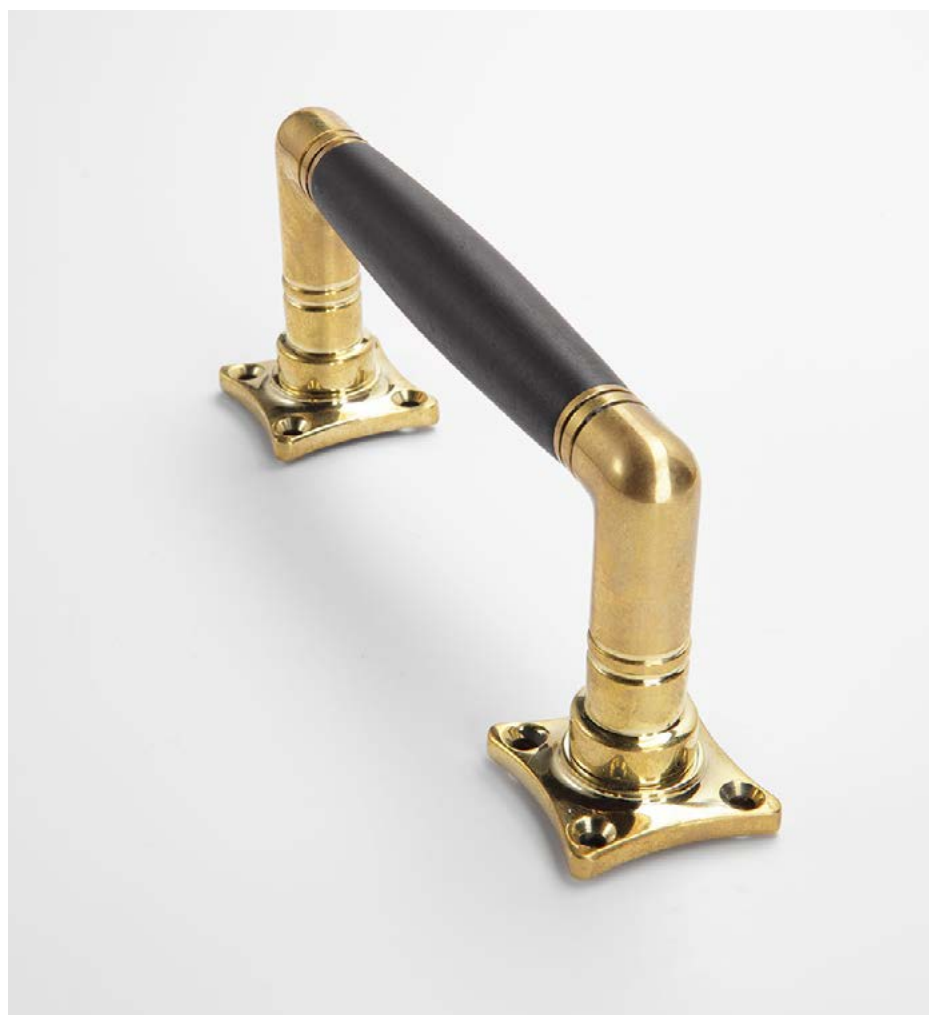
The minimum expression of a perfect tandem.

This Italian pull handle design is made in ebony wood contrasted in brass, and is conceived for the most demanding interiors.

*Available in 3 finishes.*

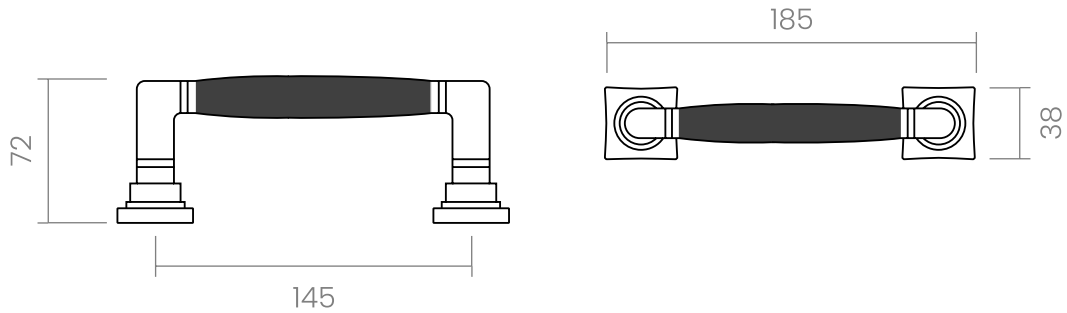


EBONY / SATIN NICKEL



EBONY / UNLACQUERED BRASS

groël







### INFO. SPECIFICATIONS

A forged brass pull handle suitable for doors and sliding doors, wardrobes, cabinets, etc.

Pulls are sold individually but they come prepared with the necessary accessories to install one in front of the other if you purchase 2 units.

### INFO. FINISHES & SKU

	<b>EBLSB</b>   Ebony / Unlacquered brass	590-M-R9-EBLSB	
	<b>EBNB</b>   Ebony / Polished nickel	590-M-R9-EBNB	
	<b>EBNS</b>   Ebony / Satin nickel	590-M-R9-EBNS	

### INFO. INCLUDED

- 1x** Pull handle
- 1x** Simple fixing

### INFO. CARE INSTRUCTIONS

Clean with a dry cloth. Do not use brass cleaner as it might affect the protective coating.

### INFO. DISCLAIMER

Always seek the advice of professionals when installing these handles.  
Groël is not responsible for any inadequate installation that may damage the integrity of the product.  
Finishes other than Groël's Powercoat are not recommended for wet or humid environments.



Production processes follow ecological norms.



Mechanical guarantee for exceed 200.000 operational cycles



Made of solid brass



Unlacquered



Varnish