

# groël

## Chérie

The minimum expression of a perfect tandem.

The Chérie door handle design, made with the highest delicacy and precision, is presented on an oval backplate. This Italian door handle design is made in ebony wood contrasted in brass, and is conceived for the most demanding interiors.

*Available in 3 finishes.*



EBONY / UNLACQUERED BRASS

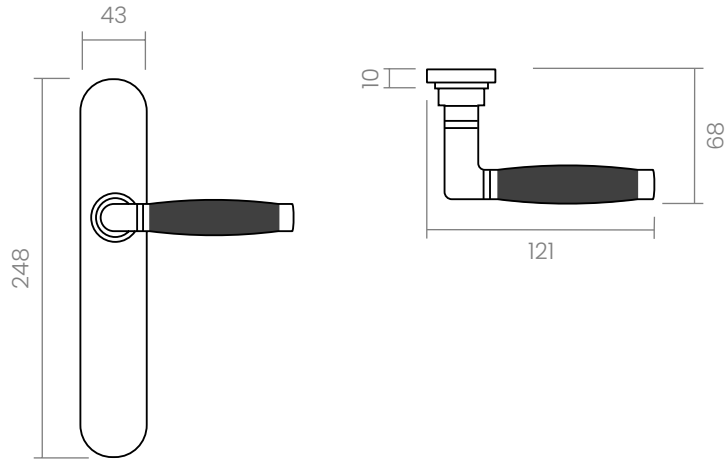


EBONY / SATIN NICKEL



EBONY / POLISHED NICKEL

groël



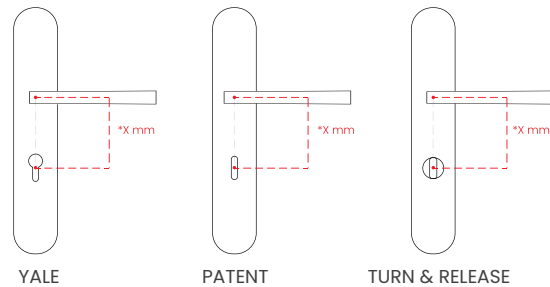
**INFO. SPECIFICATIONS**

Set of forged brass handles with an 10 mm thick oval backplate. Suitable for interior and exterior doors with a thickness between 35-50mm (Groël's standard size)\* and with any type of lock.

For wider doors (50mm and above) and/or glass doors, please contact our customer service.





**CAN I ADD ESCUTCHEONS OR PRIVACY TURN & RELEASE ON BACKPLATES?**

Yes, you only have to tell us the type of escutcheon (yale or patent) or the type of privacy turn & release, and indicate the dimensions between centres\*.



\*X= Distance between centres

**INFO. FINISHES & SKU**

	<b>EBSB</b>   Ebony / Unlacquered brass	590-P-EBSB	
	<b>EBNB</b>   Ebony / Polished nickel	590-P-EBNB	
	<b>EBNS</b>   Ebony / Satin nickel	590-P-EBNS	

**INFO. INCLUDED**

- 2x** Lever handles on an oval backplate
- 1x** Square spindle
- 1x** Bag of screws

**INFO. CARE INSTRUCTIONS**

Clean with a dry cloth. Do not use brass cleaner as it might affect the protective coating.

**INFO. DISCLAIMER**

Always seek the advice of professionals when installing these handles. Groël is not responsible for any inadequate installation that may damage the integrity of the product. Finishes other than Groël's Powercoat are not recommended for wet or humid environments.