

# groël

## Chérie

The minimum expression of a perfect tandem.

The Chérie door handle design, made with the highest delicacy and precision, is presented on an exclusive rose. This Italian door handle design is made in ebony wood contrasted in brass, and is conceived for the most demanding interiors.

*Available in 3 finishes.*



EBONY / UNLACQUERED BRASS

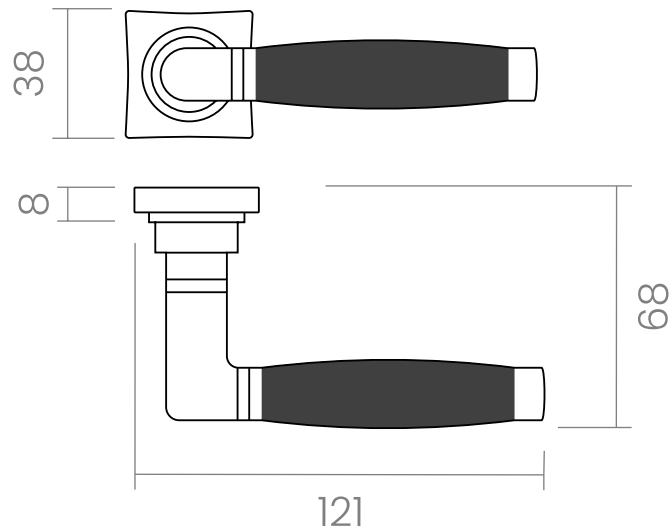


EBONY / SATIN NICKEL



EBONY / POLISHED NICKEL

groël







### INFO. SPECIFICATIONS

Set of forged brass handles with an 8 mm thick special rose. Suitable for interior and exterior doors with a thickness between 35-50mm (Groël's standard size)\* and with any type of lock.

For wider doors (50mm and above) and/or glass doors, please contact our customer service.

### INFO. FINISHES & SKU

	<b>EBSB</b>   <i>Ebony / Unlacquered brass</i>	590-R9-EBSB	
	<b>EBNB</b>   <i>Ebony / Polished nickel</i>	590-R9-EBNB	
	<b>EBNS</b>   <i>Ebony / Satin nickel</i>	590-R9-EBNS	

### INFO. INCLUDED

- 2x** Lever handles with round rose
- 1x** Square spindle
- 1x** Bag of screws

### INFO. CARE INSTRUCTIONS

Clean with a dry cloth. Do not use brass cleaner as it might affect the protective coating.

### INFO. DISCLAIMER

Always seek the advice of professionals when installing these handles.  
Groël is not responsible for any inadequate installation that may damage the integrity of the product.  
Finishes other than Groël's Powercoat are not recommended for wet or humid environments.



Production processes follow ecological norms.



Mechanical guarantee for exceed 200.000 operational cycles



Made of solid brass



Unlacquered



Varnish