

groël

Snap

The Snap handle represents the act of breaking. A cylinder that visually stops, breaking in the middle. An original and comfortable handle.

Designed by Pelizzari Studio®

Available in 3 finishes.



OLD BRASS

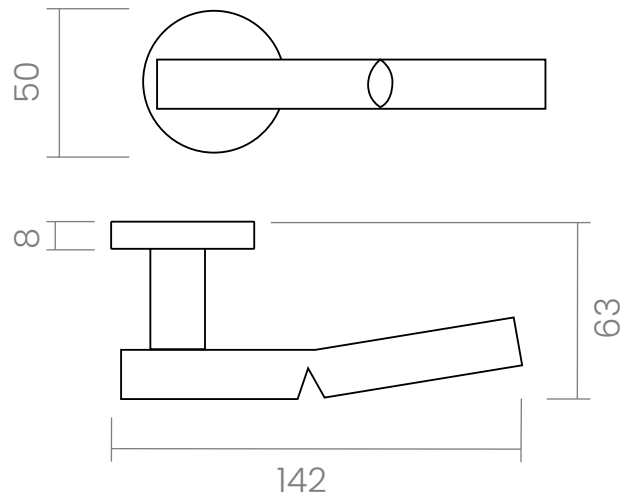


MATT BRONZE



BROWN

groël







INFO. SPECIFICATIONS

Set of forged brass handles with an 8 mm thick round rose. Suitable for interior and exterior doors with a thickness between 35-50mm (Groël's standard size)* and with any type of lock.

For wider doors (50mm and above) and/or glass doors, please contact our customer service.

INFO. FINISHES & SKU

	MR <i>Brown</i>	623-R8-MR	
	OB <i>Old brass</i>	623-R8-OB	
	BO <i>Matt bronze</i>	623-R8-BO	

INFO. INCLUDED

- 2x** Lever handles with round rose
- 1x** Square spindle
- 1x** Bag of screws

INFO. CARE INSTRUCTIONS

Clean with a dry cloth. Do not use brass cleaner as it might affect the protective coating.

INFO. DISCLAIMER

Always seek the advice of professionals when installing these handles.
Groël is not responsible for any inadequate installation that may damage the integrity of the product.
Finishes other than Groël's Powercoat are not recommended for wet or humid environments.



Production processes follow ecological norms.



Mechanical guarantee for exceed 200.000 operational cycles



Made of solid brass



Varnish



Unlacquered