

# groël

## Kilto

Transcending time and fashions.

The Kilto window handle design Kilto offers an exclusive range of finishes: from bronze to vintage tonalities. A design that perfectly fits traditional and modern environments. This Italian handle design and manufacturing made in forged brass is perfect to give a classic touch.

*Available in 4 finishes.*



**POLISHED BRASS**



**ANTIQUÉ BRASS**

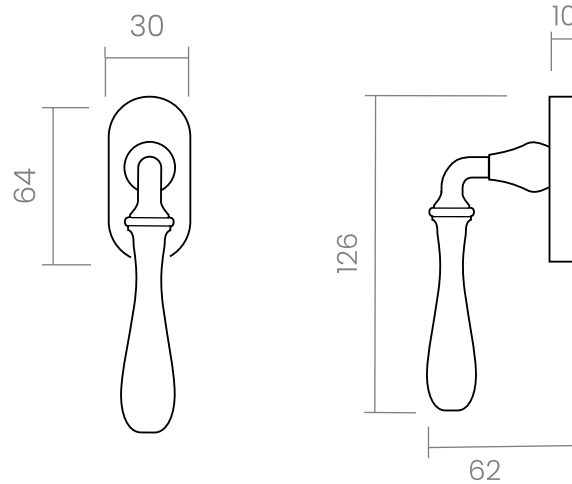


**EFFETTO FERRO**



**BROWN**





groël



### INFO. SPECIFICATIONS

A forged brass window handle with a rectangular rose with a window mechanism.

### INFO. FINISHES & SKU

 <b>HI</b>	<i>Effetto ferro</i>	<i>809-G-HI</i>
 <b>LP</b>	<i>Polished brass</i>	<i>809-G-LP</i>
 <b>MR</b>	<i>Brown</i>	<i>809-G-MR</i>
 <b>AQ</b>	<i>Antique brass</i>	<i>809-G-AQ</i>

### INFO. INCLUDED

- 1x** Window handle with oval rose
- 1x** Bag of screws

### INFO. CARE INSTRUCTIONS

Clean with a dry cloth. Do not use brass cleaner as it might affect the protective coating.

### INFO. DISCLAIMER

Always seek the advice of professionals when installing these handles.  
Groël is not responsible for any inadequate installation that may damage the integrity of the product.  
Finishes other than Groël's Powercoat are not recommended for wet or humid environments.



Production processes follow ecological norms.



Mechanical guarantee far exceed 200.000 operational cycles



Made of solid brass



Varnish