

groël

Kilto

Transcending time and fashions.

The door handle design Kilto offers an exclusive range of finishes: from bronze to vintage tonalities. A design that perfectly fits traditional and modern environments. This Italian handle design and manufacturing is made in forged brass and assembled with an oval backplate, perfect to give a classic touch.

Available in 4 finishes.



ANTIQUÉ BRASS



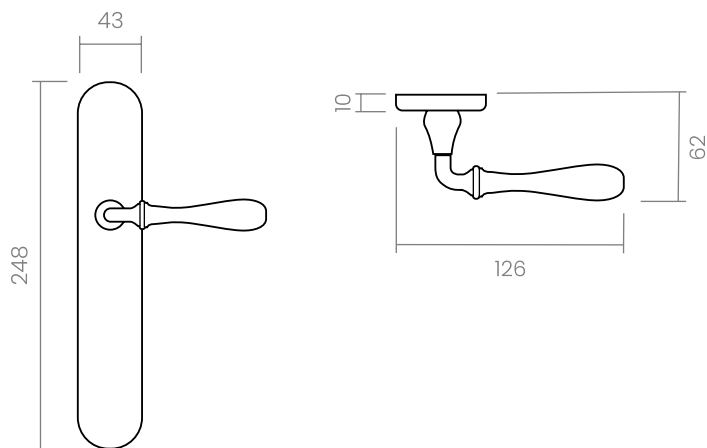
EFFETTO FERRO



POLISHED BRASS



BROWN



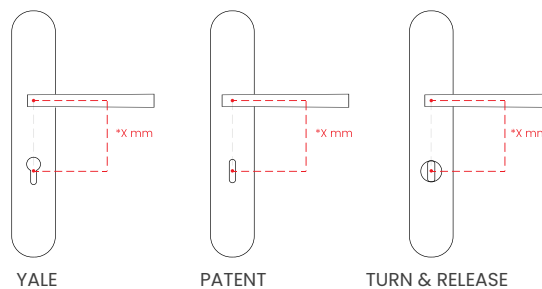
INFO. SPECIFICATIONS

Set of forged brass handles with an 10 mm thick oval backplate. Suitable for interior and exterior doors with a thickness between 35-50mm (Groël's standard size)* and with any type of lock.

For wider doors (50mm and above) and/or glass doors, please contact our customer service.

CAN I ADD ESCUTCHEONS OR PRIVACY TURN & RELEASE ON BACKPLATES?

Yes, you only have to tell us the type of escutcheon (yale or patent) or the type of privacy turn & release, and indicate the dimensions between centres*.



*X= Distance between centres

INFO. FINISHES & SKU

	HI	<i>Effetto ferro</i>	<i>809-P-HI</i>
	LP	<i>Polished brass</i>	<i>809-P-LP</i>
	MR	<i>Brown</i>	<i>809-P-MR</i>
	AQ	<i>Antique brass</i>	<i>809-P-AQ</i>

INFO. INCLUDED

- 2x** Lever handles on an oval backplate
- 1x** Square spindle
- 1x** Bag of screws

INFO. CARE INSTRUCTIONS

Clean with a dry cloth. Do not use brass cleaner as it might affect the protective coating.

INFO. DISCLAIMER

Always seek the advice of professionals when installing these handles. Groël is not responsible for any inadequate installation that may damage the integrity of the product. Finishes other than Groël's Powercoat are not recommended for wet or humid environments.