

# groël

## Jet

Simplicity pushed to the furthest extreme.

The Jet door handle design with its strong lines and elegant projection, is presented on an oval backplate. This Italian handle design made in high quality forged brass is conceived for interior and exterior doors in multiple finishes, making it a perfect model for exquisite environments. Its design insinuates trilateral shapes while still presenting an amiable appearance due to the sweet ness of its neck.

*Available in 8 finishes.*



POWERCOAT POLISHED BRASS



POWERCOAT SATIN BRASS



POWERCOAT INOX



POWERCOAT GRAPHITE



POLISHED CHROME



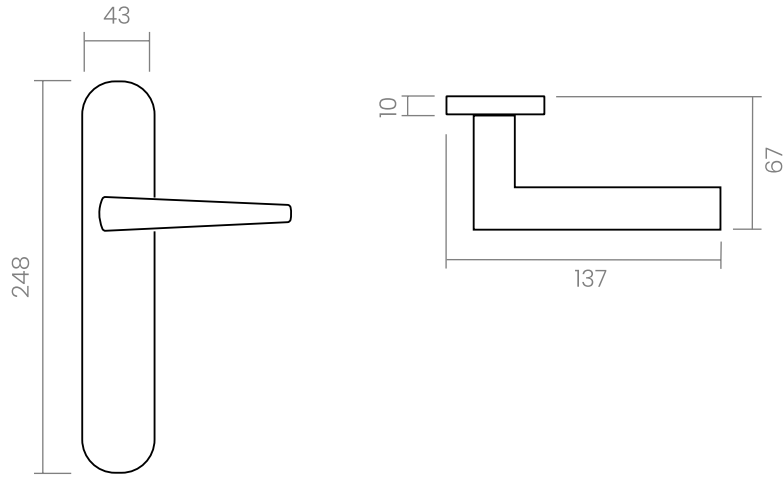
SATIN CHROME



MATT BLACK



MATT WHITE



### INFO. SPECIFICATIONS

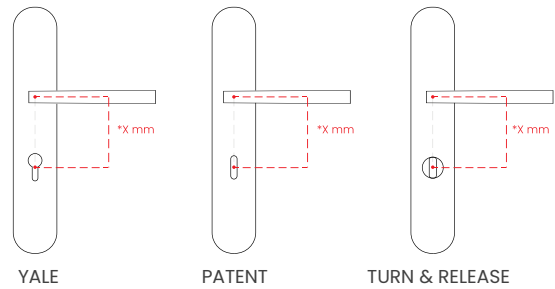
Set of forged brass handles with an 10 mm thick oval backplate. Suitable for interior and exterior doors with a thickness between 35-50mm (Groël's standard size)\* and with any type of lock.

For wider doors (50mm and above) and/or glass doors, please contact our customer service.

### CAN I ADD ESCUTCHEONS OR PRIVACY TURN & RELEASE ON BACKPLATES?

Yes, you only have to tell us the type of escutcheon (yale or patent) or the type of privacy turn & release, and indicate the dimensions between centres\*.

\*X= Distance between centres



### INFO. FINISHES & SKU

	<b>PWLP</b>	Powercoat polished brass	813-P-PWLP	
	<b>PWLS</b>	Powercoat satin brass	813-P-PWLS	
	<b>PWIX</b>	Powercoat inox	813-P-PWIX	
	<b>PWGT</b>	Powercoat graphite	813-P-PWGT	
	<b>CR</b>	Polished chrome	813-P-CR	
	<b>CS</b>	Satin chrome	813-P-CS	
	<b>BK</b>	Matt black	813-P-BK	
	<b>WTM</b>	Matt white	813-P-WTM	

### INFO. INCLUDED

- 2x** Lever handles on an oval backplate
- 1x** Square spindle
- 1x** Bag of screws

### INFO. CARE INSTRUCTIONS

Clean with a dry cloth. Do not use brass cleaner as it might affect the protective coating.

### INFO. DISCLAIMER

Always seek the advice of professionals when installing these handles. Groël is not responsible for any inadequate installation that may damage the integrity of the product. Finishes other than Groël's Powercoat are not recommended for wet or humid environments.

