

groël

Espuch

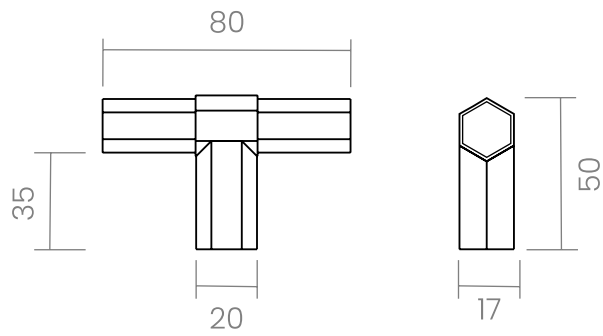
The beauty of the pure symmetry of a hexagon turned into a T-Bar cabinet pull.

The Espuch T-Bar cabinet pull design has an origin and heart from Alicante. The renowned Alicante interior designer and founder of the Azul Tierra studio has been creating projects that combine luxury and sustainability for more than 20 years. Far from trends, in his aesthetic universe natural proportions coexist with the use of noble materials. This T-Bar cabinet pull design is made of forged brass and is conceived to drawers, doors and wardrobes in bedrooms, dressing rooms, kitchens and bathrooms.

Available in 1 finish.



UNLACQUERED BRASS



INFO. SPECIFICATIONS

A T-bar cabinet pull made in ebony wood contrasted in brass.

INFO. FINISHES & SKU



LSB

Powercoat satin brass

916-T-LSB



INFO. INCLUDED

1x t-bar cabinet pull

1x bag of screws

INFO. CARE INSTRUCTIONS

Clean with a dry cloth. Do not use brass cleaner as it might affect the protective coating.

INFO. DISCLAIMER

Always seek the advice of professionals when installing these handles.
Groël is not responsible for any inadequate installation that may damage the integrity of the product.
Finishes other than Groël's Powercoat are not recommended for wet or humid environments.



Production processes follow ecological norms.



Mechanical guarantee far exceed 200.000 operational cycles



Made of solid brass



Unlacquered